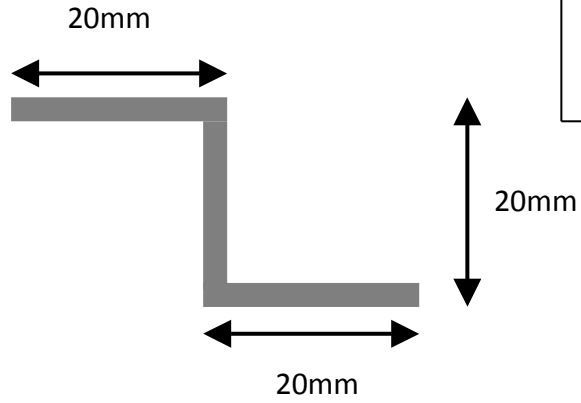
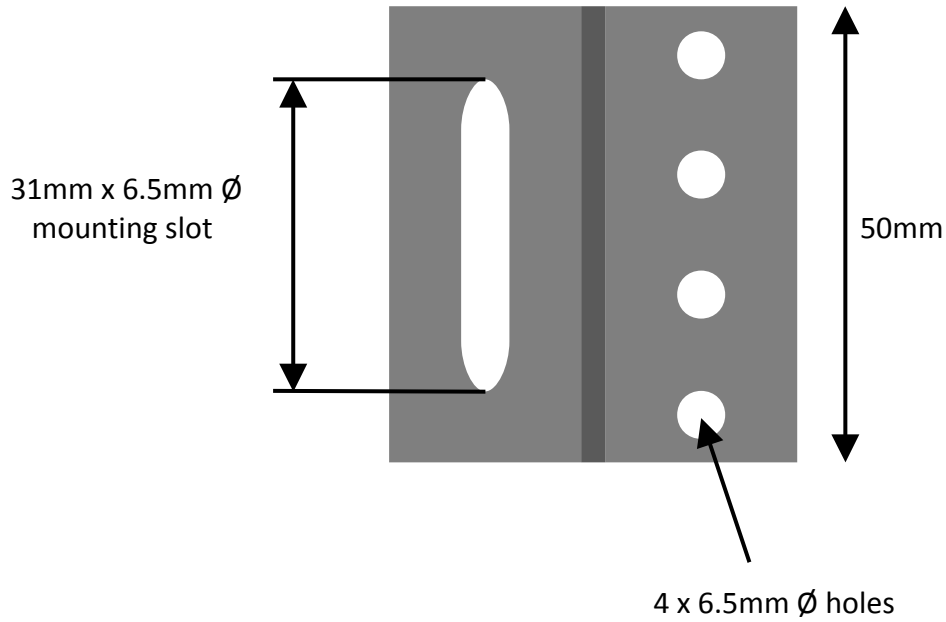



**END VIEW**



**PLAN VIEW**



**NOTE: NOT DRAWN TO SCALE**

 <p>Amber Electronics Limited 1 Siddeley Way, Royal Oak Industrial Estate, Daventry, Northamptonshire, NN11 8PA Tel: 01327 310166 www.amberelectronics.co.uk</p>	<b>MODEL NO.</b>		<b>TITLE:</b>		<b>Drawn:</b>	SB
	SM50		50mm surface mount bracket			
	<b>Material:</b>	16 SWG NS4 Grade Aluminium	<b>Finish:</b>	Untreated	<b>Dimensions:</b>	mm
<b>Part No.</b>	<b>ISSUE:</b>	A				
<b>Drawing No.</b>	<b>DATE:</b>	02/06/10				