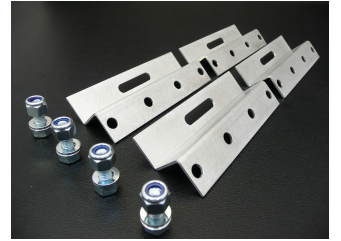
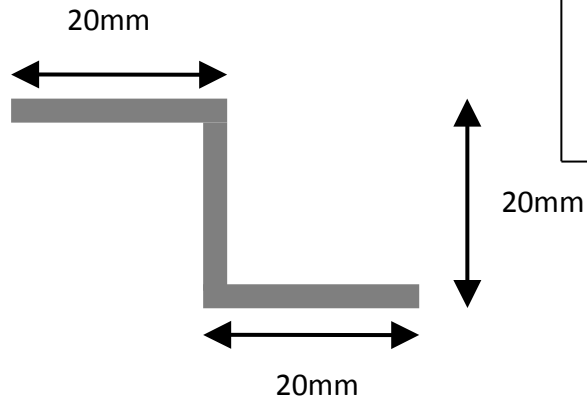
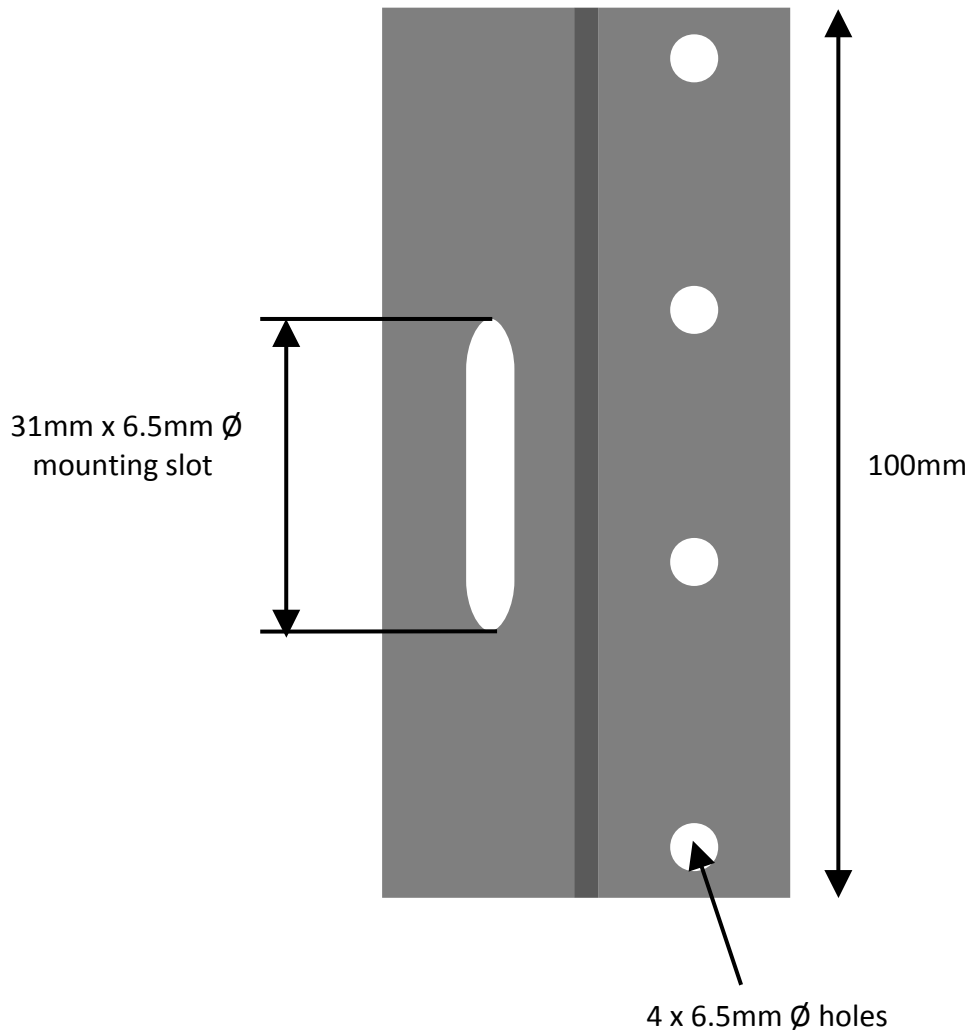



END VIEW



PLAN VIEW



NOTE: NOT DRAWN TO SCALE

 <p>Amber Electronics Limited 1 Siddeley Way, Royal Oak Industrial Estate, Daventry, Northamptonshire, NN11 8PA Tel: 01327 310166 www.amberelectronics.co.uk</p>	MODEL NO. SM100		TITLE: 100mm surface mount bracket			Drawn:	SB
	Material:	16 SWG NS4 Grade Aluminium	Finish:	Untreated	Dimensions:	mm	
Part No.	ISSUE:	A					
Drawing No. SPB-SM100	DATE:	02/06/10					