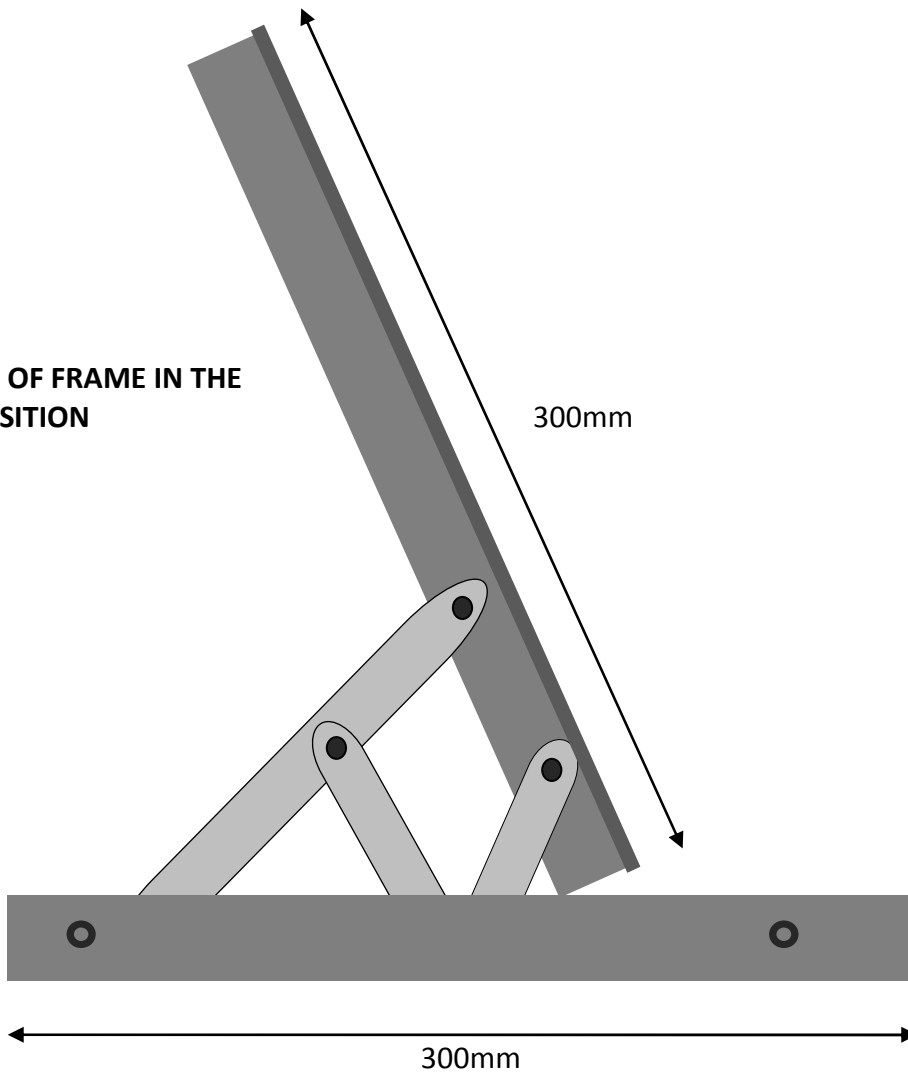



SIDE VIEW OF FRAME IN THE 'CLOSED' POSITION



SIDE VIEW OF FRAME IN THE 'OPEN' POSITION

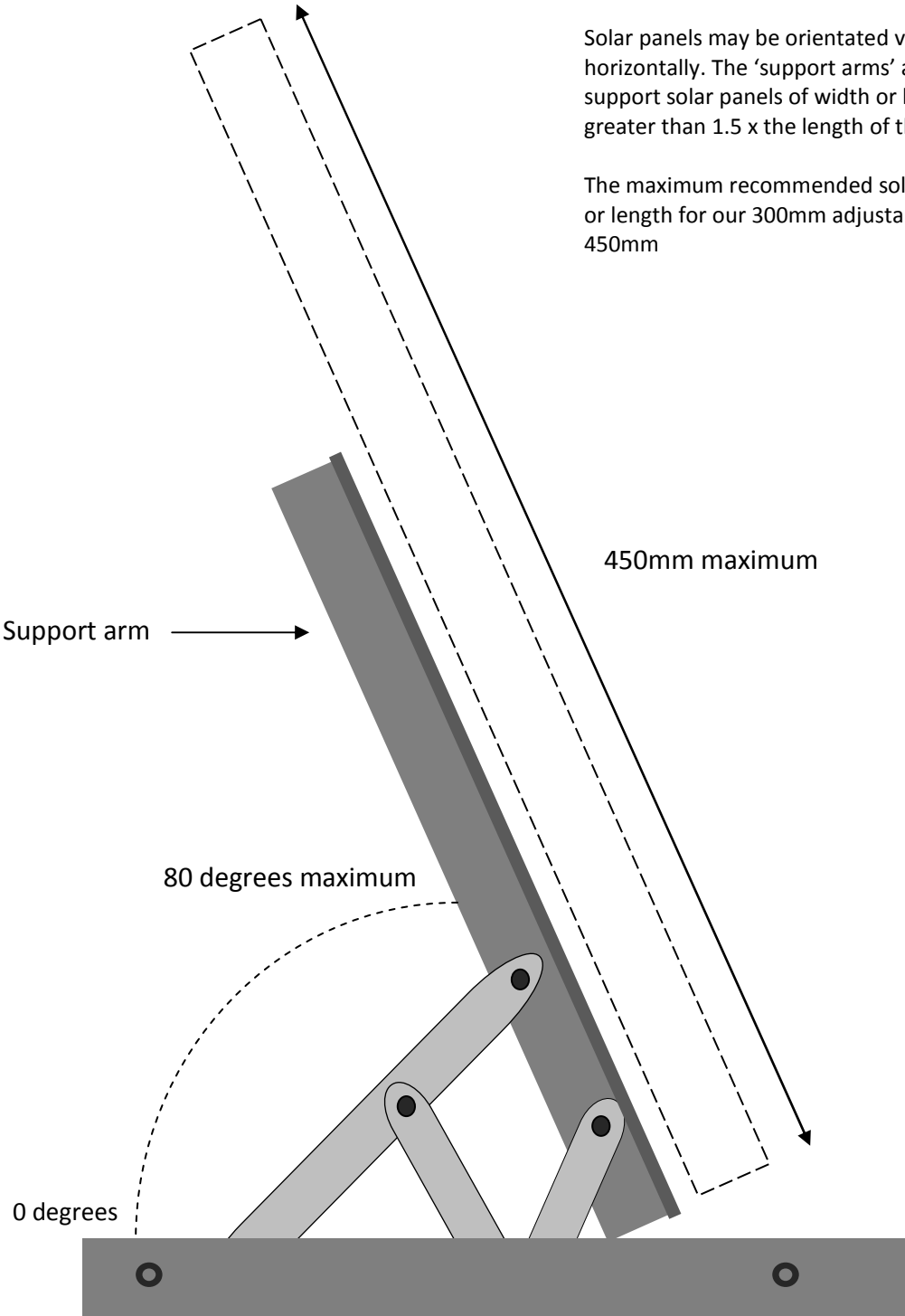


NOTE: NOT DRAWN TO SCALE


 <p>Amber Electronics Limited 1 Siddeley Way, Royal Oak Industrial Estate, Daventry, Northamptonshire, NN11 8PA Tel: 01327 310166 www.amberelectronics.co.uk</p>	MODEL NO. AF300		TITLE: 300mm adjustable 'friction hinge' frame		Drawn: SB
	Material: 25x25x3mm aluminium angle	Finish: Untreated	Dimensions: mm		
Part No.	ISSUE: A				
Drawing No. SPB-AF300 (Sheet 1 of 2)	DATE: 02/06/10				

Solar panels may be orientated vertically or horizontally. The 'support arms' are designed to support solar panels of width or length no greater than 1.5 x the length of the support arms.

The maximum recommended solar panel width or length for our 300mm adjustable frame is 450mm



NOTE: NOT DRAWN TO SCALE

 <p>Amber Electronics Limited 1 Siddeley Way, Royal Oak Industrial Estate, Daventry, Northamptonshire, NN11 8PA Tel: 01327 310166 www.amberelectronics.co.uk</p>	MODEL NO.		TITLE:		Drawn:	SB
	AF300		300mm adjustable 'friction hinge' frame			
	Material:	25x25x3mm aluminium angle	Finish:	Untreated	Dimensions:	mm
Part No.	ISSUE:	A				
Drawing No.	DATE:	02/06/10				
SPB-AF300 (Sheet 2 of 2)						